

Appendix General Information

NEMA and IEC terminal markings

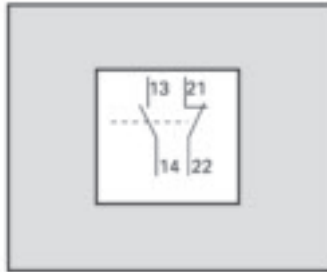
Symbols and Terminal Markings—IEC

Per DIN standards, the terminals of auxiliary contacts on contactors and control devices are marked with a two digit number. Terminals that belong together are marked with the same location digit (first digit).

The second digits (called the function digits) identify the function of each contact per the following designation.

Type of Contact	Function Digits
Normally Open	3 and 4
Normally Closed	1 and 2
Normally Open (Special Function)	5 and 6 i.e. Time-Delay or Overload
Normally Closed (Special Function)	7 and 8 Contacts

Example:



1. The numbers 13 and 14 represent an auxiliary contact
2. The number 1 identifies that this is the first contact in the sequence
3. The numbers 3 and 4 identify this as a normally open contact
4. The numbers 21 and 22 represent another auxiliary contact
5. The number 2 identifies that this is the second contact in the sequence
6. The numbers 1 and 2 identify this as a normally closed contact

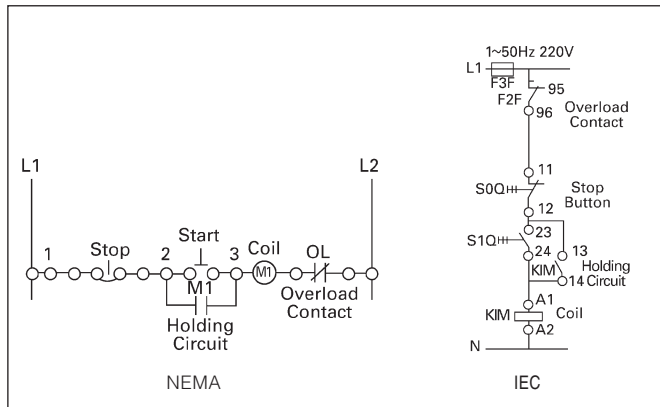
Symbols and Terminal Markings

Control Circuits	NEMA	IEC
Normally Open (NO)		
Normally Closed (NC)		
Time Delay Circuits		
On Delay Normally Open (Timed Closed)		
Normally Closed (Timed Open)		
Off Delay Normally Open (Timed Open)		
Normally Closed (Timed Closed)		

NEMA and IEC Comparisons Contactor/Starter Markings

	NEMA		IEC
Coils		M — Defined by type of coil. No Standard terminal designation.	
Power Contacts 3-Pole Device		Line Side Connections	
Overload Relay		Load Side Connections	
		Line Side Connections	
		Load Side Connections	

Control Circuit Schematic



Power Circuit Schematic

